



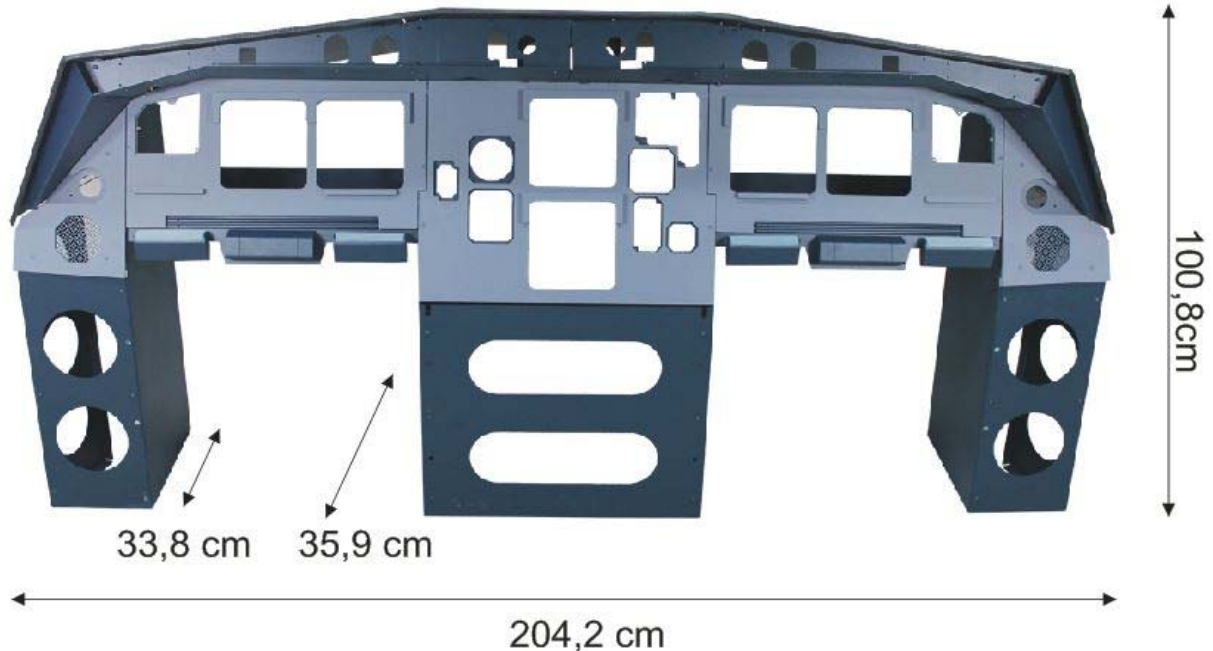
MIP Airbus A320
Airbus A320 MIP

Datos técnicos:

Technical data:

Las medidas del hardware (ancho x alto x profundidad) son: 204,2 x 100,8 x 35,9 cm.

The measurements of the hardware (width x height x depth) are: 104,2 x 100,8 x 35,9 cm.



Datos de Configuración:

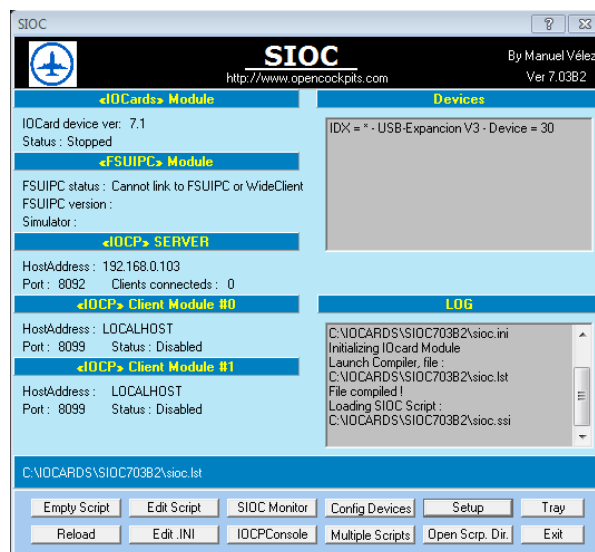
Configuration data:

* Conectar el hardware a través de los cables USB al puerto correspondiente del ordenador.

Connect the hardware through the USB cables to the computer.

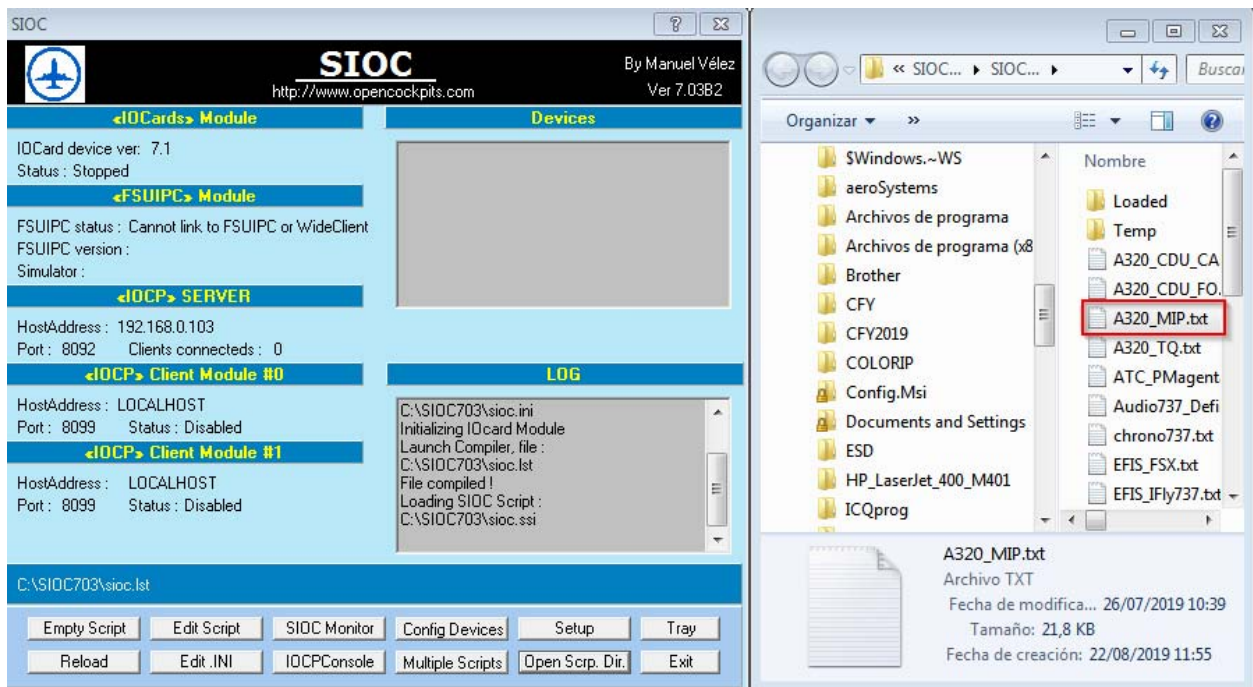
* Ejecutar o instalar SIOC (https://www.opencockpits.com/catalog/info/information.php?info_id=45&language=es)

Install or exec SIOC software.



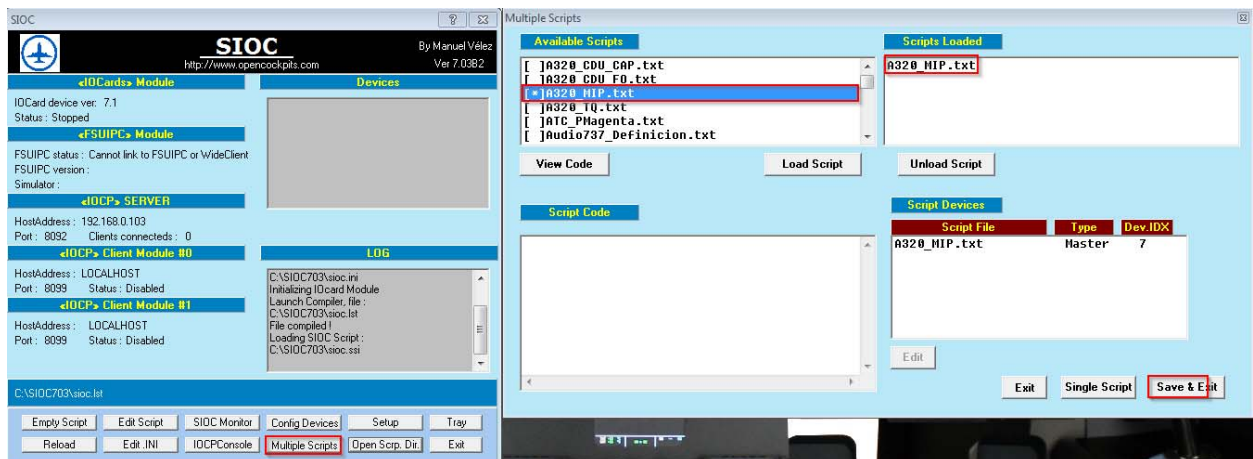
* Copiar el código script en el directorio de scripts de SIOC (MIP).

Copy the script code in the SIOC script directory (MIP).



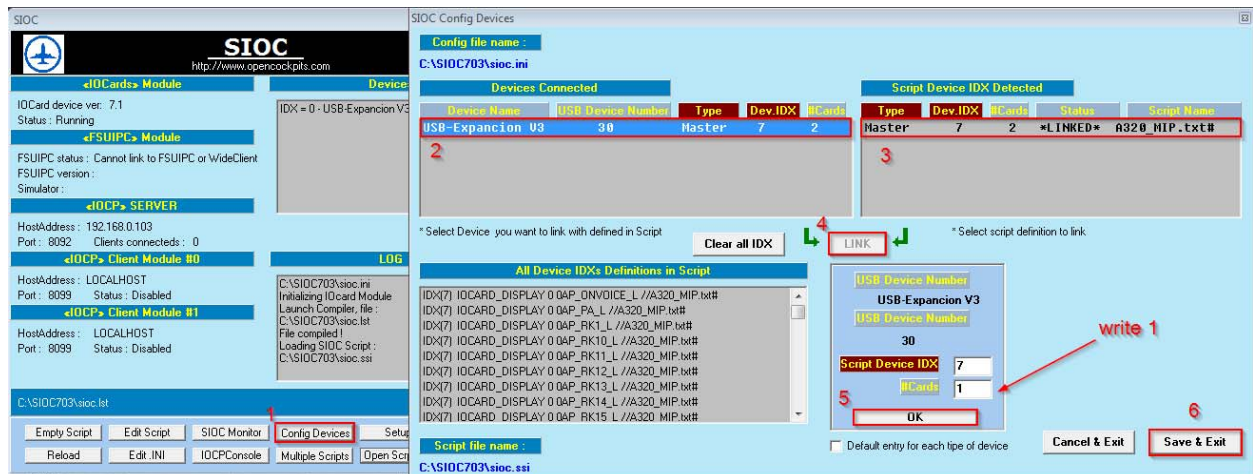
* Cargar el código script en SIOC.

Load the script code in SIOC.



* Configurar el dispositivo (Repetir el proceso con cada dispositivo).

Configure the device (Repeat the steps with each dispositive).



* Configurar el hardware en su Addons favorita.
Configure the hardware in your favorite Addons.

Precaución:
Caution:

* Montar y fijar adecuadamente el hardware.
Mount and fix the hardware properly.

* Hardware comprobado para funcionar a la tensión de entrada de 3,2V, 5V (Master Card) y 12V (ledstrip)
** Hardware tested to operate at the voltage of 3,2V 5V (Master Card) and 12V (ledstrip)*

Declaración de entradas y salidas:
I/O declaration:

//MIP A320

//Switch type Korrry OUT:

```
VAR 1701, NAME AUTO_CAP, STATIC, LINK IOCARD_OUT, DEVICE 17, OUTPUT 11
VAR 1702, NAME LAND_CAP, STATIC, LINK IOCARD_OUT, DEVICE 17, OUTPUT 12
VAR 1703, NAME MASTER_CAP, STATIC, LINK IOCARD_OUT, DEVICE 17, OUTPUT 13
VAR 1704, NAME CAUT_CAP, STATIC, LINK IOCARD_OUT, DEVICE 17, OUTPUT 14
VAR 1705, NAME MASTER2_CAP, STATIC, LINK IOCARD_OUT, DEVICE 17, OUTPUT 15
VAR 1706, NAME WARN_CAP, STATIC, LINK IOCARD_OUT, DEVICE 17, OUTPUT 16
VAR 1707, NAME ARROW_CAP, STATIC, LINK IOCARD_OUT, DEVICE 17, OUTPUT 17
VAR 1708, NAME CAPT_CAP, STATIC, LINK IOCARD_OUT, DEVICE 17, OUTPUT 18
VAR 1709, NAME ARROW_F0, STATIC, LINK IOCARD_OUT, DEVICE 17, OUTPUT 19
VAR 1710, NAME FO_F0, STATIC, LINK IOCARD_OUT, DEVICE 17, OUTPUT 20
VAR 1711, NAME MASTER_F0, STATIC, LINK IOCARD_OUT, DEVICE 17, OUTPUT 21
VAR 1712, NAME WARN_F0, STATIC, LINK IOCARD_OUT, DEVICE 17, OUTPUT 22
VAR 1713, NAME MASTER2_F0, STATIC, LINK IOCARD_OUT, DEVICE 17, OUTPUT 25
VAR 1714, NAME CAUT_F0, STATIC, LINK IOCARD_OUT, DEVICE 17, OUTPUT 26
VAR 1715, NAME AUTO_F0, STATIC, LINK IOCARD_OUT, DEVICE 17, OUTPUT 23
VAR 1716, NAME LAND_F0, STATIC, LINK IOCARD_OUT, DEVICE 17, OUTPUT 24
VAR 1717, NAME PULLUP_CAP, STATIC, LINK IOCARD_OUT, DEVICE 17, OUTPUT 27
VAR 1718, NAME GPWS_CAP, STATIC, LINK IOCARD_OUT, DEVICE 17, OUTPUT 28
VAR 1719, NAME TERRONND1_ECAM, STATIC, LINK IOCARD_OUT, DEVICE 17, OUTPUT 29
VAR 1720, NAME TERRONND2_ECAM, STATIC, LINK IOCARD_OUT, DEVICE 17, OUTPUT 30
VAR 1721, NAME LINK1_ECAM, STATIC, LINK IOCARD_OUT, DEVICE 17, OUTPUT 31
VAR 1722, NAME TRIANGLE1_ECAM, STATIC, LINK IOCARD_OUT, DEVICE 17, OUTPUT 32
VAR 1723, NAME DECEL1_ECAM, STATIC, LINK IOCARD_OUT, DEVICE 17, OUTPUT 33
VAR 1724, NAME ON1_ECAM, STATIC, LINK IOCARD_OUT, DEVICE 17, OUTPUT 34
VAR 1725, NAME LINK2_ECAM, STATIC, LINK IOCARD_OUT, DEVICE 17, OUTPUT 35
VAR 1726, NAME TRIANGLE2_ECAM, STATIC, LINK IOCARD_OUT, DEVICE 17, OUTPUT 36
VAR 1727, NAME DECEL2_ECAM, STATIC, LINK IOCARD_OUT, DEVICE 17, OUTPUT 37
VAR 1728, NAME ON2_ECAM, STATIC, LINK IOCARD_OUT, DEVICE 17, OUTPUT 38
VAR 1729, NAME LINK3_ECAM, STATIC, LINK IOCARD_OUT, DEVICE 17, OUTPUT 39
VAR 1730, NAME TRIANGLE3_ECAM, STATIC, LINK IOCARD_OUT, DEVICE 17, OUTPUT 40
VAR 1731, NAME DECEL3_ECAM, STATIC, LINK IOCARD_OUT, DEVICE 17, OUTPUT 41
VAR 1732, NAME ON3_ECAM, STATIC, LINK IOCARD_OUT, DEVICE 17, OUTPUT 42
VAR 1733, NAME HOT_ECAM, STATIC, LINK IOCARD_OUT, DEVICE 17, OUTPUT 43
VAR 1734, NAME ON4_ECAM, STATIC, LINK IOCARD_OUT, DEVICE 17, OUTPUT 44
VAR 1735, NAME TERRONND3_ECAM, STATIC, LINK IOCARD_OUT, DEVICE 17, OUTPUT 45
VAR 1736, NAME TERRONND4_ECAM, STATIC, LINK IOCARD_OUT, DEVICE 17, OUTPUT 46
VAR 1737, NAME PULLUP_F0, STATIC, LINK IOCARD_OUT, DEVICE 17, OUTPUT 47
VAR 1738, NAME GPWS_F0, STATIC, LINK IOCARD_OUT, DEVICE 17, OUTPUT 48
VAR 1777, NAME LGLIGHT, STATIC, LINK IOCARD_OUT, DEVICE 17, OUTPUT 51
```

//Switch type Korry IN:

Var 1739, NAME AUTOLAND_CAP, STATIC, Link IOCARD_SW, DEVICE 17, Input 0
Var 1740, NAME MASTERCAUT_CAP, STATIC, Link IOCARD_SW, DEVICE 17, Input 1
Var 1741, NAME MASTERWARN_CAP, STATIC, Link IOCARD_SW, DEVICE 17, Input 2
Var 1742, NAME PRIORITY_CAP, STATIC, Link IOCARD_SW, DEVICE 17, Input 3
Var 1743, NAME PRIORITY_FO, STATIC, Link IOCARD_SW, DEVICE 17, Input 4
Var 1744, NAME MASTERWARN_FO, STATIC, Link IOCARD_SW, DEVICE 17, Input 5
Var 1745, NAME MASTERCAUT_FO, STATIC, Link IOCARD_SW, DEVICE 17, Input 7
Var 1746, NAME AUTOLAND_FO, STATIC, Link IOCARD_SW, DEVICE 17, Input 6
Var 1748, NAME TERRON1_ECAM, STATIC, Link IOCARD_SW, DEVICE 17, Input 10
Var 1749, NAME LDGGEAR1_ECAM, STATIC, Link IOCARD_SW, DEVICE 17, Input 11
Var 1750, NAME AUTOBRK1_ECAM, STATIC, Link IOCARD_SW, DEVICE 17, Input 12
Var 1751, NAME LDGGEAR2_ECAM, STATIC, Link IOCARD_SW, DEVICE 17, Input 13
Var 1752, NAME AUTOBRK2_ECAM, STATIC, Link IOCARD_SW, DEVICE 17, Input 14
Var 1753, NAME LDGGEAR3_ECAM, STATIC, Link IOCARD_SW, DEVICE 17, Input 15
Var 1754, NAME AUTOBRK3_ECAM, STATIC, Link IOCARD_SW, DEVICE 17, Input 16
Var 1755, NAME BRKFAN_ECAM, STATIC, Link IOCARD_SW, DEVICE 17, Input 18
Var 1756, NAME TERRON2_ECAM, STATIC, Link IOCARD_SW, DEVICE 17, Input 19

//Switch IN:

Var 1758, NAME CHRONO_CAP, STATIC, Link IOCARD_SW, DEVICE 17, Input 36
Var 1759, NAME PFD_CAP, STATIC, Link IOCARD_SW, DEVICE 17, Input 37
Var 1760, NAME CONSOLE1_CAP, STATIC, Link IOCARD_SW, DEVICE 17, Input 38
Var 1761, NAME CONSOLE2_CAP, STATIC, Link IOCARD_SW, DEVICE 17, Input 39
Var 1762, NAME FOOT_CAP, STATIC, Link IOCARD_SW, DEVICE 17, Input 40
Var 1763, NAME SKID_ECAM, STATIC, Link IOCARD_SW, DEVICE 17, Input 41
Var 1764, NAME TRENUP_ECAM, STATIC, Link IOCARD_SW, DEVICE 17, Input 43
Var 1765, NAME TRENDOWN_ECAM, STATIC, Link IOCARD_SW, DEVICE 17, Input 42
Var 1766, NAME CHRONO_FO, STATIC, Link IOCARD_SW, DEVICE 17, Input 45
Var 1767, NAME PFD_FO, STATIC, Link IOCARD_SW, DEVICE 17, Input 46
Var 1768, NAME CONSOLE1_FO, STATIC, Link IOCARD_SW, DEVICE 17, Input 47
Var 1769, NAME CONSOLE2_FO, STATIC, Link IOCARD_SW, DEVICE 17, Input 48
Var 1770, NAME FOOT_FO, STATIC, Link IOCARD_SW, DEVICE 17, Input 49

//SERVO: ACCU PRESS AND POTENTIOMETERS

Var 1771, NAME ACCUPRESS1, STATIC, Link USB_SERVOS, DEVICE 16, Output 1, PosL 150,
PosC 512, PosR 1023, Type 1
Var 1772, NAME ACCUPRESS2, STATIC, Link USB_SERVOS, DEVICE 16, Output 2, PosL 150,
PosC 512, PosR 1023, Type 1
Var 1773, NAME ACCUPRESS3, STATIC, Link USB_SERVOS, DEVICE 16, Output 3, PosL 150,
PosC 512, PosR 1023, Type 1
VAR 1774, NAME 0SERVO_OXY, STATIC, LINK USB_SERVOS, DEVICE 16, OUTPUT 1, POSL 150,
POSC 512, POSR 1023, TYPE 1