



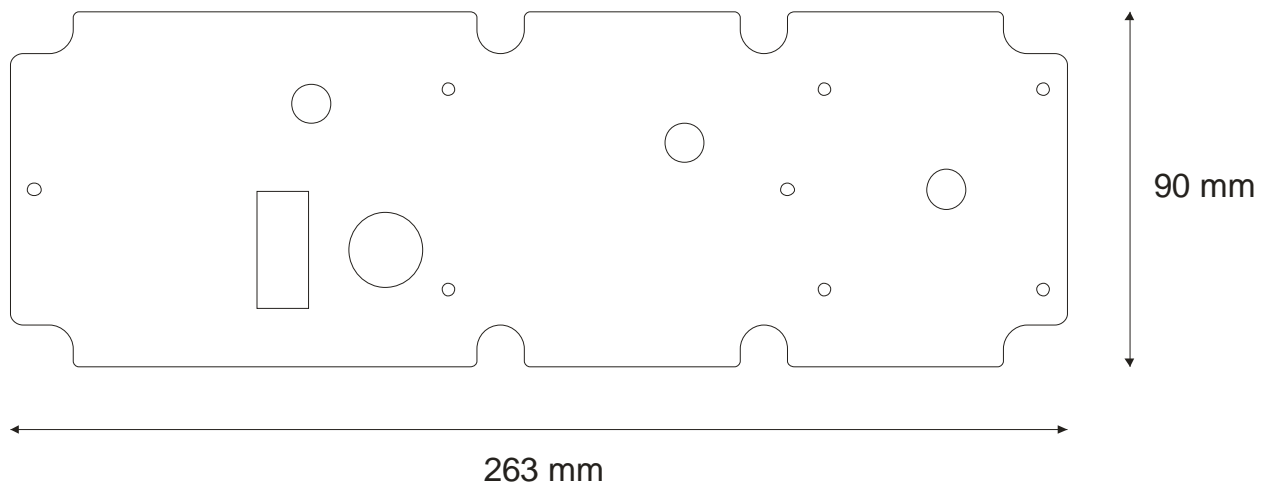
Panel RUDDER TRIM & PARKING BREAK A320
A320 RUDDER TRIM & PARKING BREAK panel

Datos técnicos:

Technical data:

Las medidas del panel (ancho x alto x profundidad) son: 263 x 90 x 6 mm.

The measurements of the panel (width x height x depth) are: 263 x 90 x 6 mm.

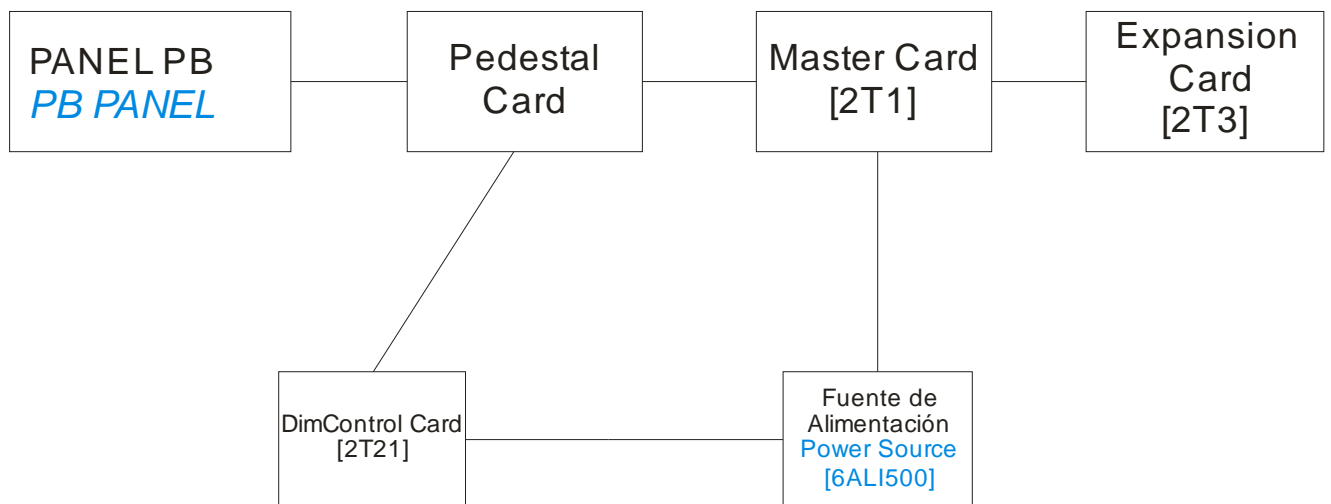


Datos de Montaje:

Assembly data:

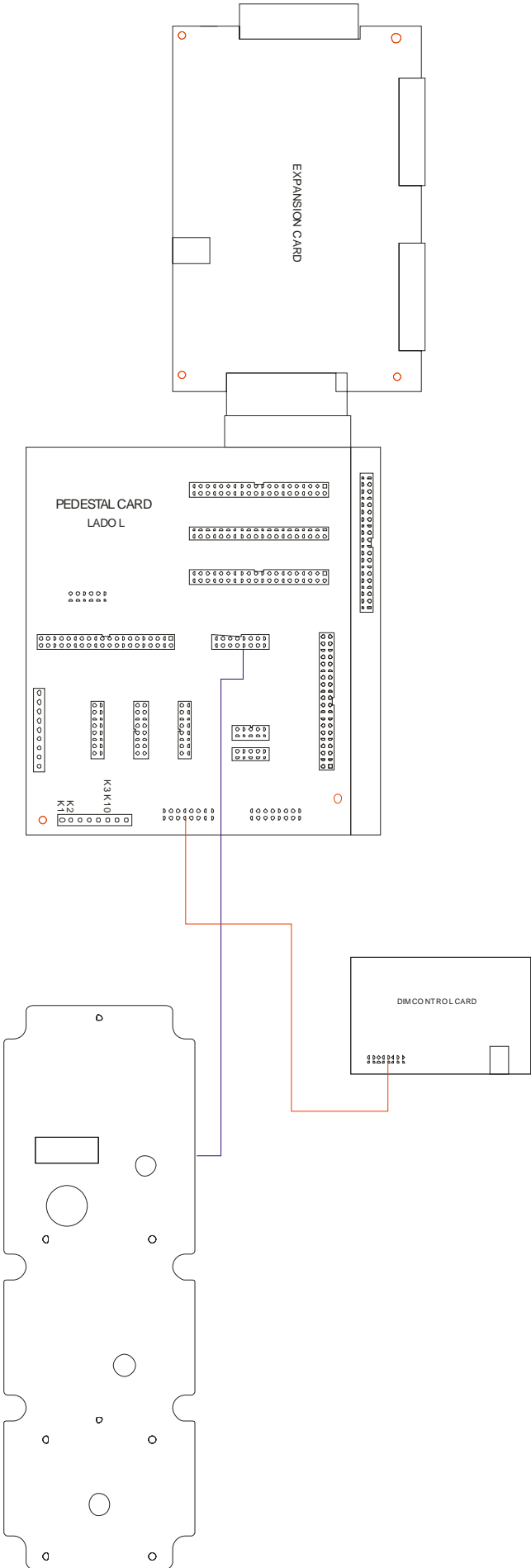
Esquema de montaje:

Assembly scheme:



* Ejemplo de cableado del panel.

Panel wiring example.



* Cablear el panel a las tarjetas pedestal.

Wiring the panel to the pedestal card.

* Atornillar los tornillos del panel en la estructura del Pedestal.

Fix the panel screws into the Pedestal structure.

Precaución:

Caution:

* Montar y fijar adecuadamente el panel.

Mount and fix the panel properly.

* Panel comprobado para funcionar a la tensión de salida que proporciona la tarjeta master.

Panel checked to operate at the output voltage provided by the Opencockpits Master Card.

Declaración de entradas y salidas:

I/O declaration:

//RUDDER & PB INPUTS

VAR 7177, NAME RT_RESET, STATIC, LINK IOCARD_SW, DEVICE 7, INPUT 139

VAR 7178, NAME RT_NOSEL, STATIC, LINK IOCARD_SW, DEVICE 7, INPUT 141

VAR 7179, NAME RT_NOSER, STATIC, LINK IOCARD_SW, DEVICE 7, INPUT 142

VAR 7180, NAME PB_PB, STATIC, LINK IOCARD_SW, DEVICE 7, INPUT 140

//RUDDER & PB OUTPUTS

VAR 7181, NAME RT_DISPLAY_1, STATIC, LINK IOCARD_DISPLAY, Device 7, Digit 84, Numbers 1

VAR 7182, NAME RT_DISPLAY_2, STATIC, LINK IOCARD_DISPLAY, Device 7, Digit 85, Numbers 1

VAR 7183, NAME RT_DISPLAY_3, STATIC, LINK IOCARD_DISPLAY, Device 7, Digit 86, Numbers 1

VAR 7184, NAME RT_DISPLAY_4, STATIC, LINK IOCARD_DISPLAY, Device 7, Digit 87, Numbers 1