

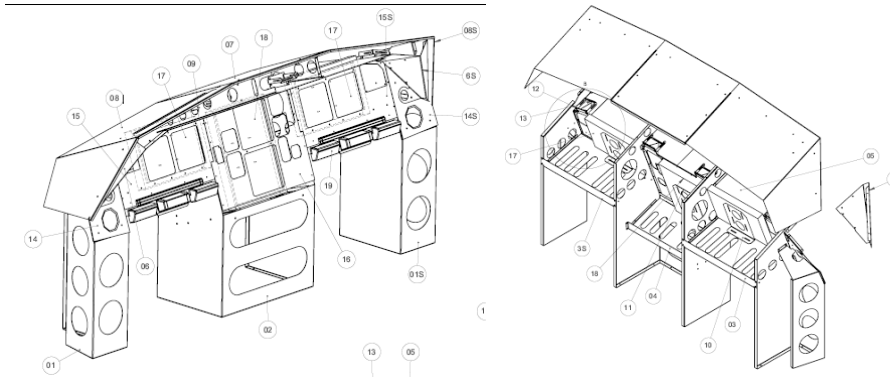


MIP A320 ASSEMBLY MANUAL

January 2019

1. MIP ASSEMBLY.

1.1 Unpack all the pieces and arrange them along the installation site for quick assembly. To fix the different parts of the structure we will use hexagonal head screws size m4.



1.2 Arrange the four legs following the sample image and screw the rear trays and the central reinforcement bar.



1.3 Screw the three front panels.



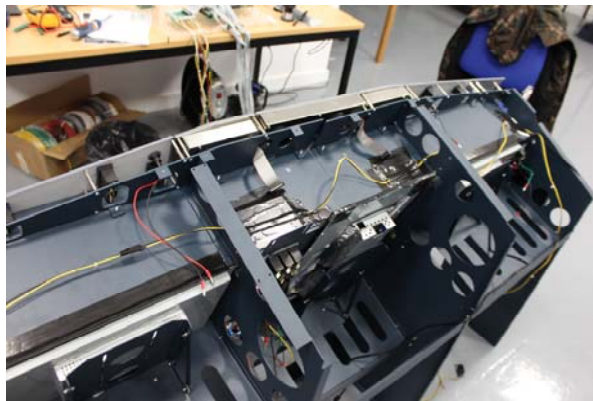
1.4 Fix the furnitures on both sides of the MIP.



1.5 Screwing the trims of both furniture.



1.6 Fix the base / support of MCP and EFIS.



1.7 Screwing the MIP cover.

2. CAUTIONS.

2.1 Move the structure of the MIP completely assembled with the help of two people.

2.2 Fix correctly all the screws of the structure.

2.3 Fix the MIP structure to the cockpit floor (optional).